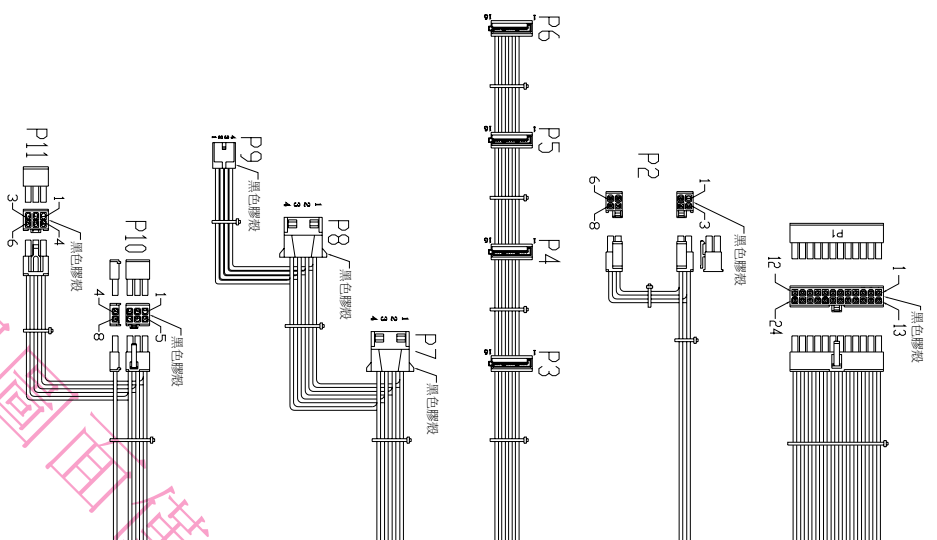
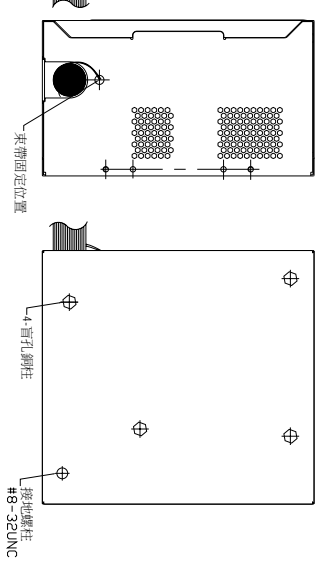
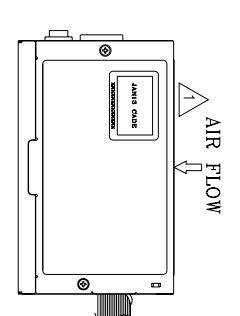
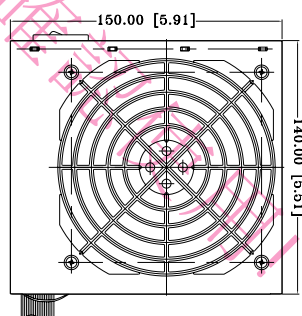
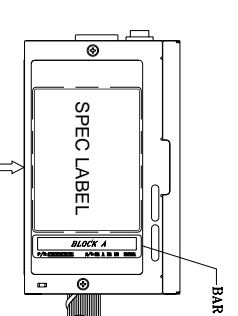
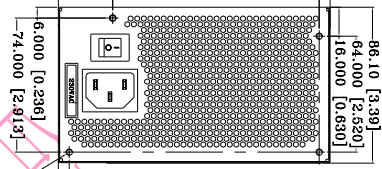


REF. ID.	PIN NO.	SIGNAL	WIRE COLOR	GAUGE	CONNECTOR TYPE	CABLE LENGTH
P1	1	+3.3VDC	ORANGE	20	MOLEX P4-42002BK-39+ P4-42002BK-4B or EQUIV.	400±80mm
	2	+3.3VDC	ORANGE	20		
	3	COM	BLACK	18		
	4	+5VDC	RED	20		
	5	COM	BLACK	18		
	6	+5VDC	RED	20		
P2	7	COM	BLACK	18	WST	500±80mm
	8	PW_OK	GRAY	24		
	9	+5VSB	PURPLE	20		
	10	+12V	YELLOW	18		
	11	+12V	YELLOW	18		
	12	+3.3VDC	ORANGE	20		
	13	+3.3VDC	ORANGE	20		
	14	+5VDC	BROWN	24		
	15	COM	BLACK	18		
	16	PS_ON#	GREEN	24		
	17	COM	BLACK	18		
	18	COM	BLACK	18		
P3	19	COM	BLACK	18	MOLEX SD-67926-0311 or EQUIV.	400±80mm
	20	COM	BLACK	18		
	21	+5VDC	RED	20		
	22	+5VDC	RED	20		
	23	+5VDC	RED	20		
	24	COM	BLACK	18		
P4	1	COM	BLACK	18	MOLEX SD-67926-0311 or EQUIV.	155±10mm
	2	COM	BLACK	20		
	3	+5VDC	RED	20		
	4	COM	BLACK	20		
	5	+12V	YELLOW	20		
P5	1	COM	BLACK	18	AMP	400±80mm
	2	COM	BLACK	20		
	3	COM	BLACK	20		
	4	+5VDC	RED	20		
	5	+12V	YELLOW	20		
P6	1	COM	BLACK	18	AMP	155±10mm
	2	COM	BLACK	20		
	3	COM	BLACK	20		
	4	+5VDC	RED	20		
P7	1	COM	BLACK	18	AMP	155±10mm
	2	COM	BLACK	20		
	3	COM	BLACK	20		
	4	+5VDC	RED	20		
P8	1	+12V	YELLOW	20	AMP	400±80mm
	2	COM	BLACK	20		
	3	COM	BLACK	20		
	4	+5VDC	RED	20		
P9	1	+5VDC	RED	20	AMP	155±10mm
	2	COM	BLACK	20		
	3	COM	BLACK	20		
	4	+12V	YELLOW	20		
P10	1	+12V	YELLOW	18	WST P8-42002K21B-8 or EQUIV.	400±80mm
	2	+12V	YELLOW	18		
	3	COM	BLACK	18		
	4	COM	BLACK	18		
P11	1	COM	BLACK	18	WST P6-142002BK5 or EQUIV.	155±10mm
	2	+12V	YELLOW	20		
	3	+12V	YELLOW	20		
	4	COM	BLACK	20		
	5	COM	BLACK	20		
	6	COM	BLACK	20		
	7	COM	BLACK	18		
	8	COM	BLACK	18		



30.000 [1.181] 114.000 [4.488] 6.000 [0.236]



修改版次	字號	修改事項	備註
△	1	用9PA450A300增加小標	

NOTES:
1. ALL THE LENGTH OF OUTPUT WIRES EXCLUDE HOUSING.
2. 產地標籤依業務指示加貼.
3. 公差: .XX±0.5 [0.02]、.XXX±0.25 [0.01].
4. +3.3V sense線插在+3.3V板孔上.

P/N:KYP-9PA200335-01

UNIT:mm [inch]

MODEL NO. : FSP450-51AAC	TITLE: ASSY	SHEET: 1 OF 1	REV: 01
R&D 8	PE	DRAWN	DATE
		DEC. 01, 2020	